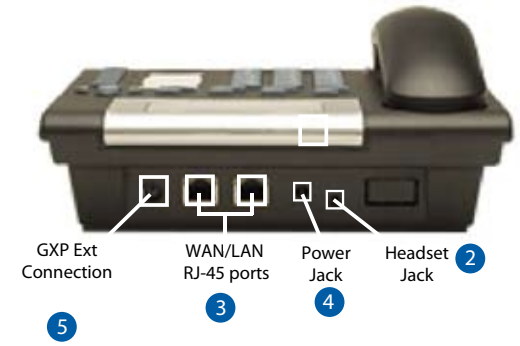
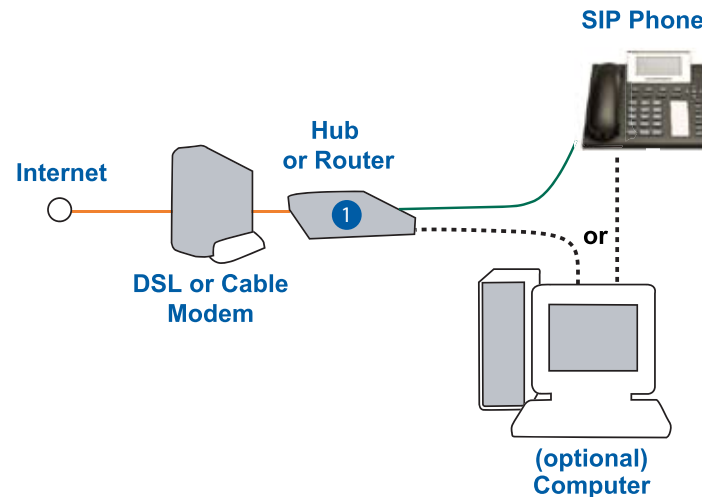


## Installation Guide: Grandstream XP-2000 SIP Phone



GXP-2000



**Basic Installation Instructions**  
for connecting the GXP-2000  
phone to the Internet via a router  
connected to a Cable or DSL modem

### Your Start-up Kit should include:

GXP-2000 Main Case  
Handset  
Phone Cord  
Universal Power Adapter  
Ethernet Cable  
Wall Mount Brackets  
Quick Installation Guide

**Step 1:** Connect the handset and main phone case with the phone cord via the Headset Jack. ②

**Step 2:** Connect the WAN port ③ of the phone to the RJ-45 socket of a hub/switch or a router ① using the Ethernet cable. (Optional: You can connect a PC or switch to the LAN port).

**Step 3:** Connect the 5V DC output plug to the power jack ④ on the phone; plug the power adapter into an electrical outlet.

**Step 4:** (Optional) The GXP-2000 supports two extension side cars, providing up to 112 additional programmable extensions. Each GXP Extension has 56 multi-purpose keys, dual color LEDs (red/green) and support BLF (busy lamp field) and BLA (bridge line appearance). Connect the first GXP-EXT to the GXP-2000 connection ⑤ using the PS2 cable found in the GXP Ext package. The first GXP-Ext draws power directly from the phone. Connect the second GXP Ext using the connection plate and the PS2 cable. The GXP2000 will automatically reboot and power up the GXP Extensions.