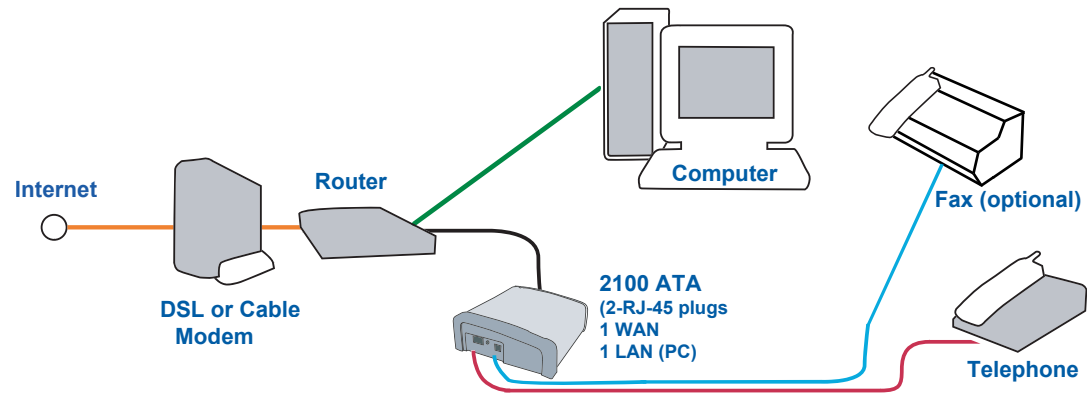
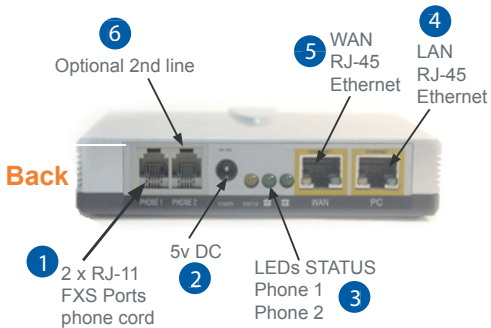


Installation Guide: Linksys 2100 2-port ATA/Router

(Setup with router already installed on premises)



- Step 1** Connect one end of the included Ethernet cable into an available Ethernet port on your router or hub. Connect the other end of this cable into the LAN port of the ATA. ④
- Step 2** Connect one end of a phone cord (not included) into the PHONE port of the ATA. ①
Connect the other end of this phone cord into the "Line" port on your telephone or fax machine.
Note: Optional second line requires additional service plan. ⑥
- Step 3** Connect the small round part of the enclosed power cable into the Power Connection of the ATA. ②
Plug the Power Supply into a wall outlet. Wait approximately 20 seconds for the Network LED ③ to stop flashing. Once it stops flashing, pick up the telephone. The Network LED ③ should light up when the phone is taken off hook, and you should have dial tone.
- Step 4** Place a test call by dialing any phone number. Your Network LED ③ should be lit. If you are able to complete your call, you have successfully installed your ATA device and service. If you get any other result, please visit our website for additional support information.

Basic Installation Instructions
for connecting the ATA to the Internet via a router connected to a Cable or DSL modem

Your Start-up Kit should include:

- Administration Guide
- Quick Start Guide
- Phone Adapter Unit (ATA)
- 5v Power Adapter
- RJ-45 Ethernet Cable